

BODY SECTION

This service manual has been prepared to provide SUBARU service personnel with the necessary information and data for the correct maintenance and repair of SUBARU vehicles.

This manual includes the procedures for maintenance, disassembling, reassembling, inspection and adjustment of components and diagnostics for guidance of experienced mechanics.

Please peruse and utilize this manual fully to ensure complete repair work for satisfying our customers by keeping their vehicle in optimum condition. When replacement of parts during repair work is needed, be sure to use SUBARU genuine parts.

All information, illustration and specifications contained in this manual are based on the latest product information available at the time of publication approval.

**HVAC SYSTEM
(HEATER, VENTILATOR AND A/C)** AC

**HVAC SYSTEM (AUTO A/C)
(DIAGNOSTICS)** AC

AIRBAG SYSTEM AB

AIRBAG SYSTEM (DIAGNOSTICS) AB

SEAT BELT SYSTEM SB

LIGHTING SYSTEM LI

WIPER AND WASHER SYSTEMS WW

ENTERTAINMENT ET

COMMUNICATION SYSTEM COM

GLASS/WINDOWS/MIRRORS GW

BODY STRUCTURE BS

INSTRUMENTATION/DRIVER INFO IDI

SEATS SE

SECURITY AND LOCKS SL

IMMOBILIZER (DIAGNOSTICS) IM

**SUNROOF/T-TOP/CONVERTIBLE TOP
(SUNROOF)** SR

EXTERIOR/INTERIOR TRIM EI

BODY SECTION

EXTERIOR BODY PANELS

EB

CRUISE CONTROL SYSTEM

CC

**CRUISE CONTROL SYSTEM
(DIAGNOSTICS)**

CC

ENTERTAINMENT

ET

	Page
1. General Description	2
2. Radio System	3
3. Cigarette Lighter System.....	8
4. Radio Body.....	9
5. Front Speaker	10
6. Tweeter	11
7. Rear Speaker	12
8. Antenna.....	13
9. Cigarette Lighter.....	14

GENERAL DESCRIPTION

ENTERTAINMENT

1. General Description

A: CAUTION

- Before disassembling or reassembling parts, always disconnect battery ground cable. When replacing radio, control module, and other parts provided with memory functions, record memory contents before disconnecting the battery ground cable. Otherwise, the memory will be erased.
- Reassemble in reverse order of disassembly, unless otherwise indicated.
- Adjust parts to the given specifications.
- Connect connectors and hoses securely during reassembly.
- After reassembly, make sure functional parts operate smoothly.

B: PREPARATION TOOL

1. GENERAL TOOLS

TOOL NAME	REMARKS
Circuit Tester	Used for measuring resistance and voltage.

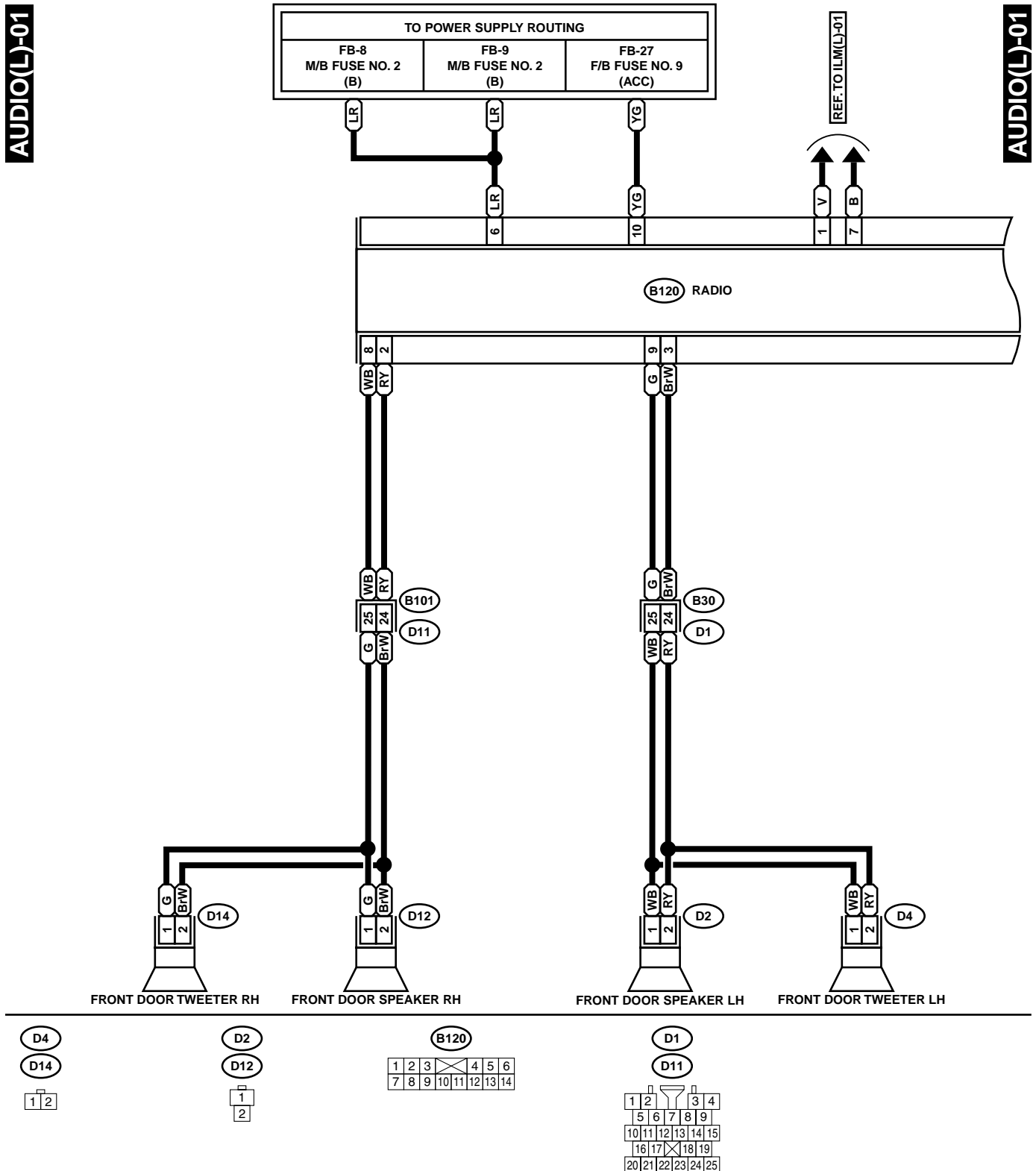
2. Radio System

A: SCHEMATIC

1. RADIO LHD MODEL

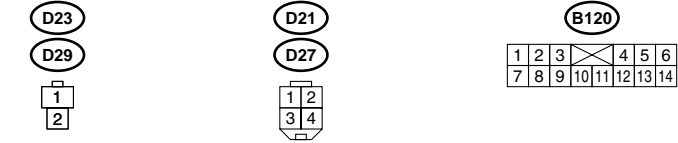
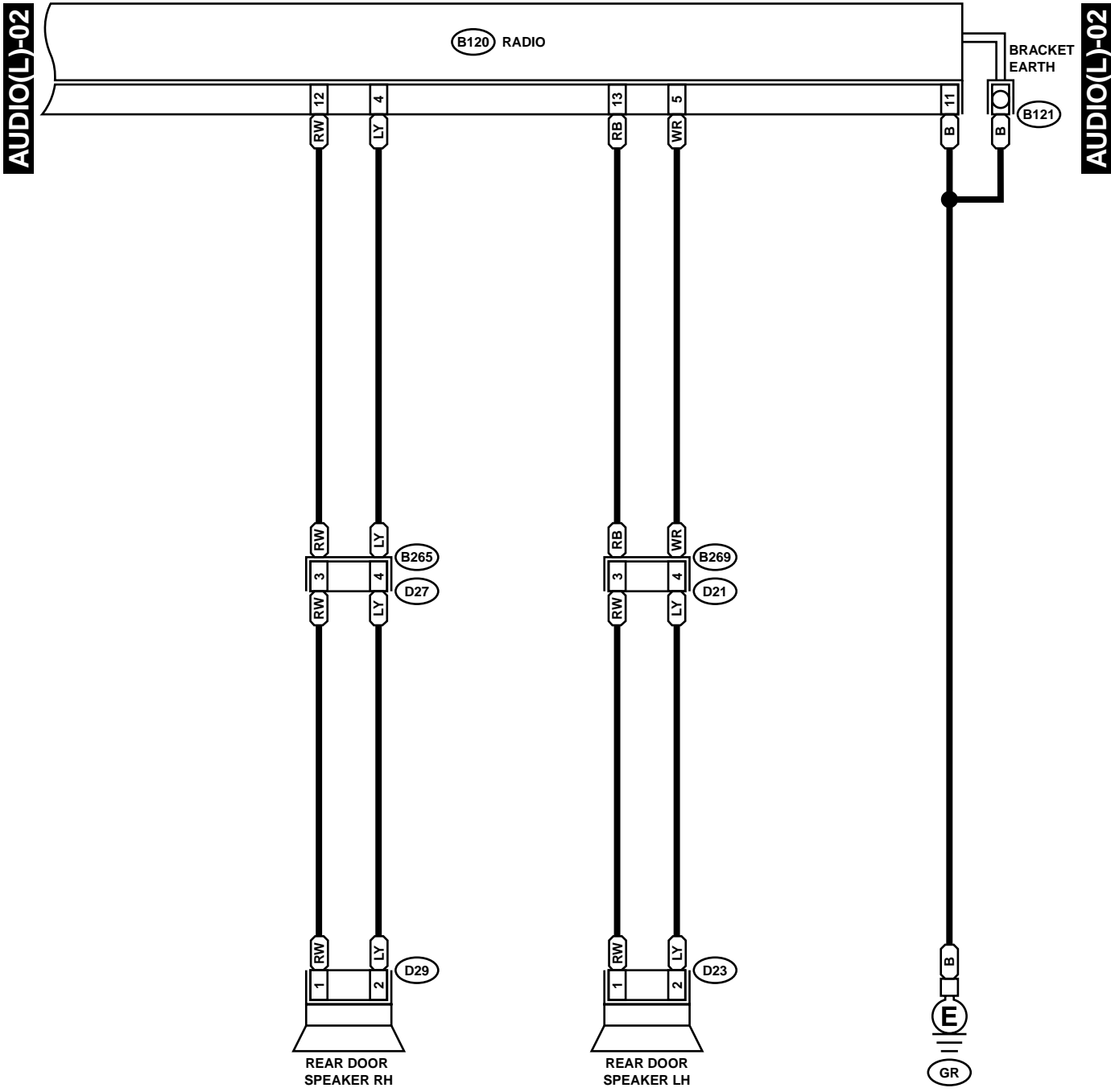
AUDIO(L)-01

AUDIO(L)-01



RADIO SYSTEM

ENTERTAINMENT

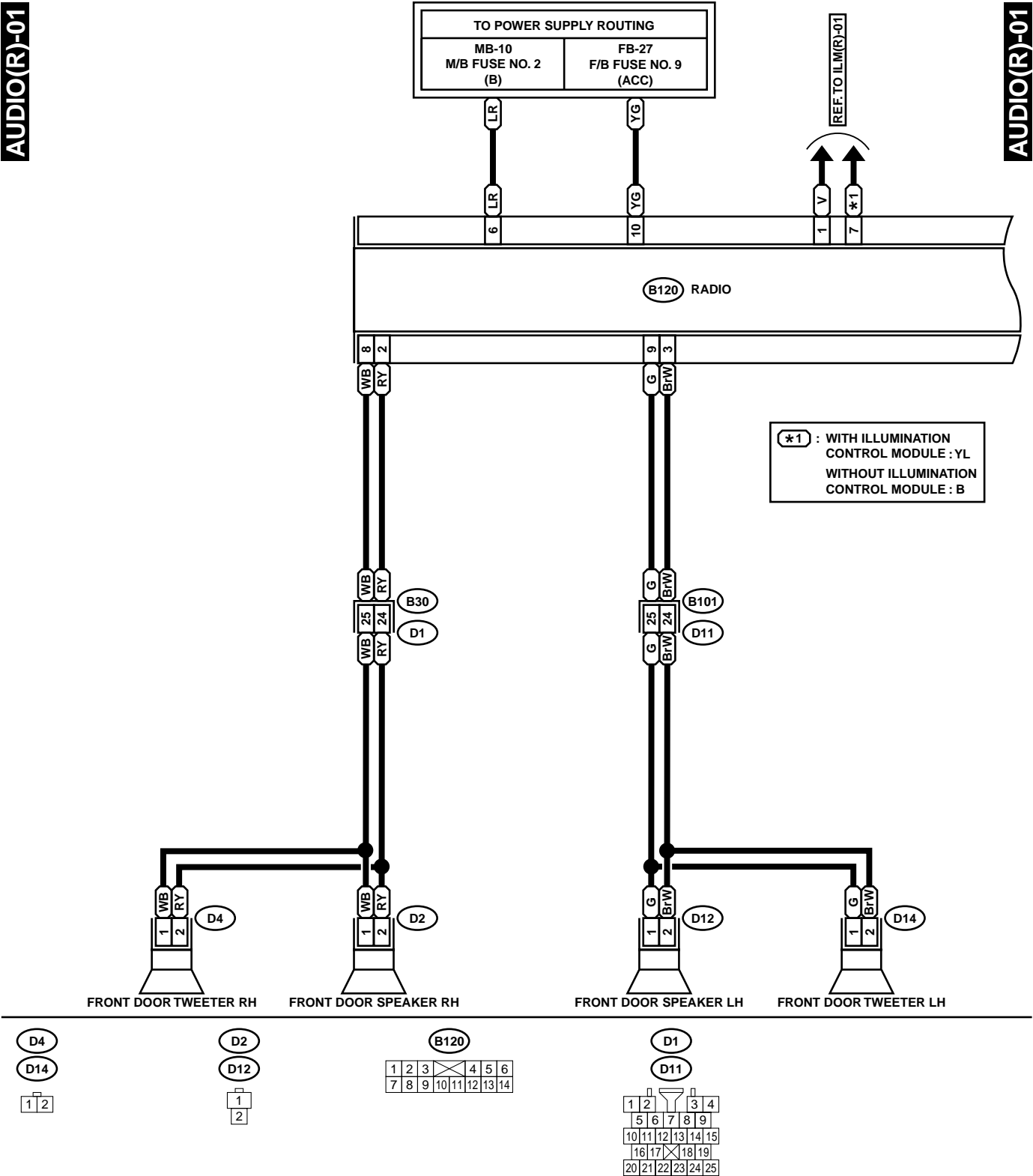


GL76-20B

2. RADIO RHD MODEL

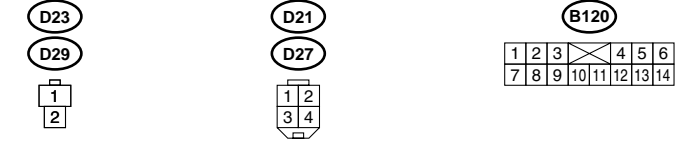
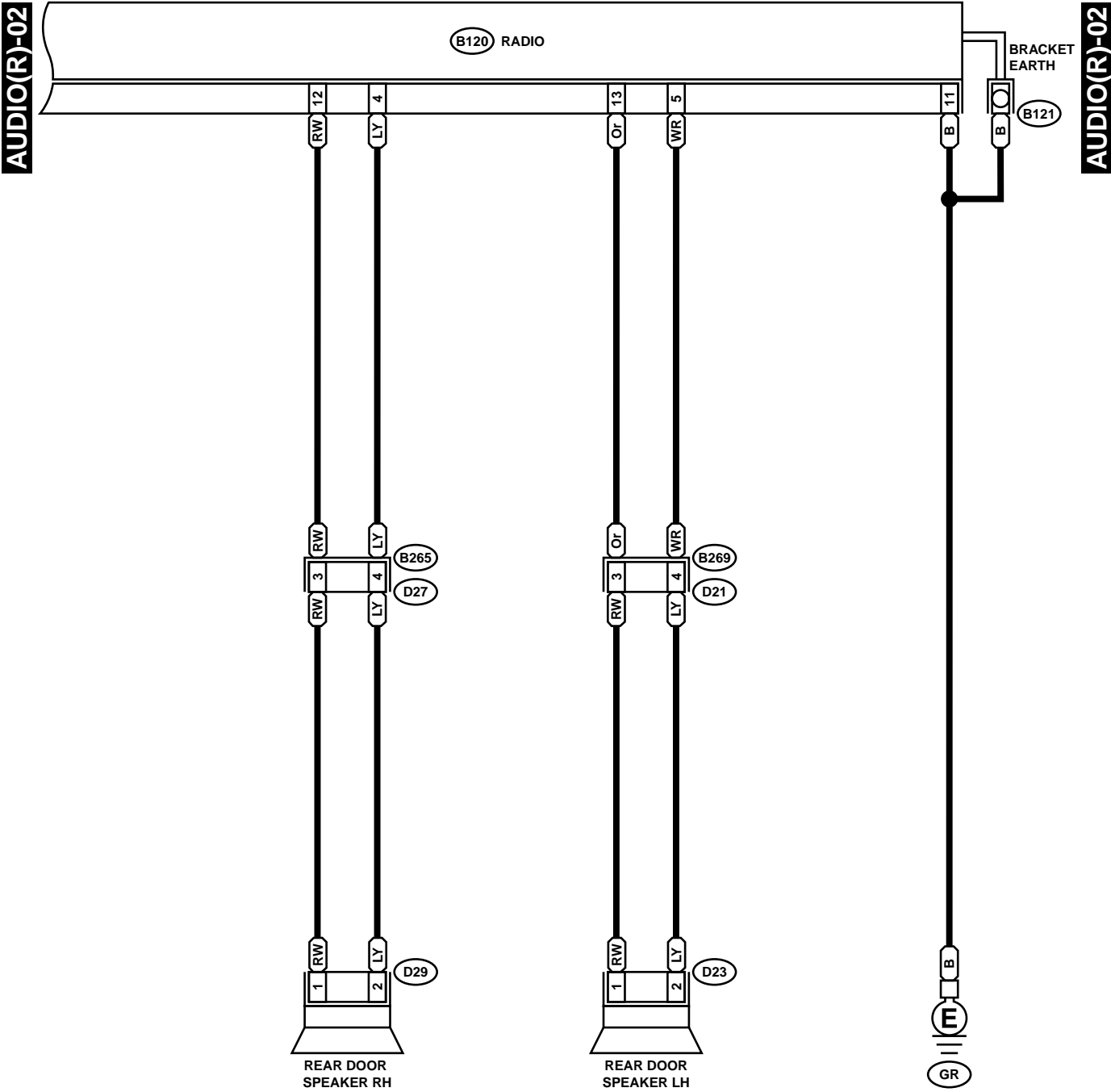
AUDIO(R)-01

AUDIO(R)-01



RADIO SYSTEM

ENTERTAINMENT



GR76-20B

B: INSPECTION

Symptom	Repair order
No power coming in (No display and no sound from speakers)	(1) Check fuse and power supply for radio. (2) Check radio ground. (3) Remove radio for repair.
A specific speaker does not operate.	(1) Check speaker. (2) Check output circuit between radio and speaker.
Radio generates noise with engine running	(1) Check radio ground. (2) Check generator. (3) Check ignition coil. (4) Remove radio for repair.
AM and FM modes are weak or noisy	(1) Check antenna. (2) Check radio ground. (3) Remove radio for repair.

CIGARETTE LIGHTER SYSTEM

ENTERTAINMENT

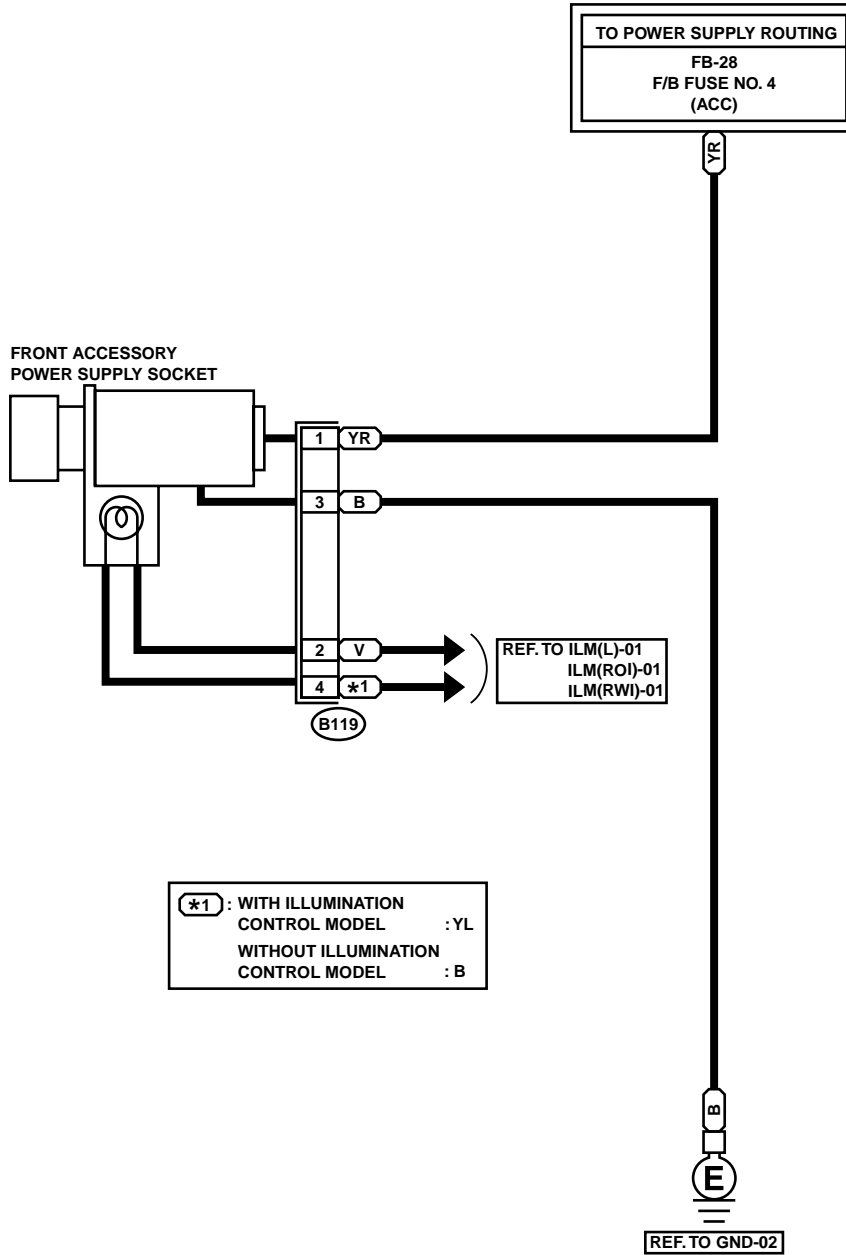
3. Cigarette Lighter System

A: SCHEMATIC

1. CIGARETTE LIGHTER

FAPS-01

FAPS-01



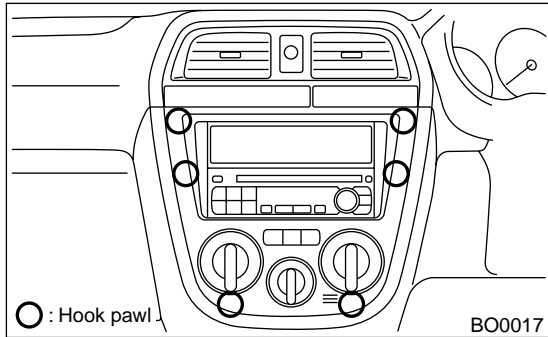
B119



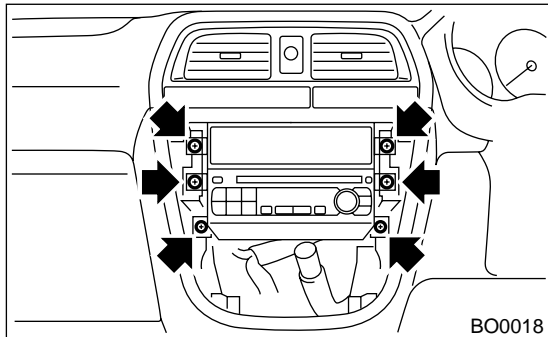
4. Radio Body

A: REMOVAL

1) Remove center panel while disconnecting connector.



2) Remove fitting screws, and slightly pull radio out from center console.



3) Disconnect electric connectors and antenna feeder cord.

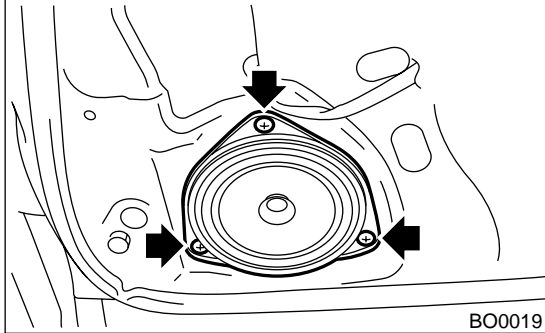
B: INSTALLATION

Install in the reverse order of removal.

5. Front Speaker

A: REMOVAL

- 1) Remove front door trim. <Ref. to EI-20, REMOVAL, Front Door Trim.>
- 2) Remove front speaker mounting screws.



- 3) Disconnect harness connector and remove front speaker.

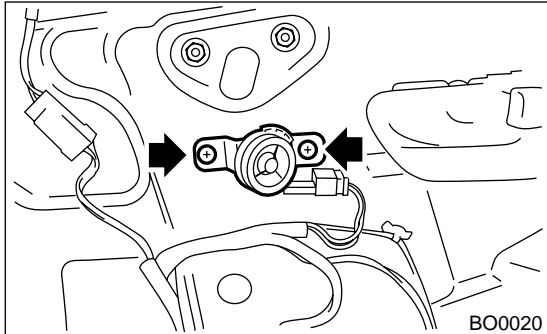
B: INSTALLATION

Install in the reverse order of removal.

6. Tweeter

A: REMOVAL

- 1) Remove front door trim. <Ref. to EI-20, REMOVAL, Front Door Trim.>
- 2) Remove tweeter mounting screws.



- 3) Disconnect harness connector and remove tweeter.

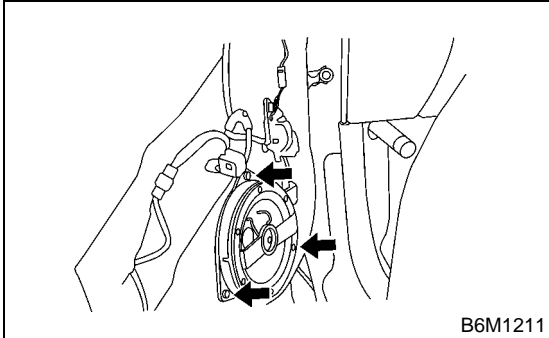
B: INSTALLATION

Install in the reverse order of removal.

7. Rear Speaker

A: REMOVAL

- 1) Remove rear door trim. <Ref. to EI-21, REMOVAL, Rear Door Trim.>
- 2) Remove rear speaker mounting screws.



- 3) Disconnect harness connector and remove rear speaker.

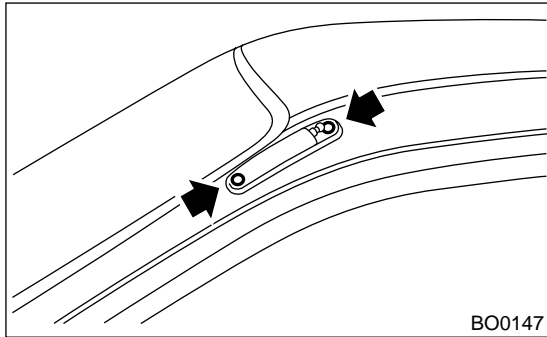
B: INSTALLATION

Install in the reverse order of removal.

8. Antenna

A: REMOVAL

- 1) Remove mounting screws and detach antenna.
- 2) Disconnect harness connector.



BO0147

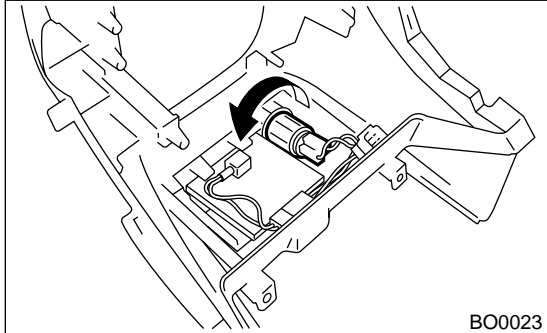
B: INSTALLATION

Install in the reverse order of removal.

9. Cigarette Lighter

A: REMOVAL

- 1) Remove center panel. <Ref. to ET-9, REMOVAL, Radio Body.>
- 2) Disconnect harness connectors and remove cigarette lighter.



B: INSTALLATION

Install in the reverse order of removal.